

E-Lumen X Series Underwater Light

True Color RGB with Warm White and Cool White LED

Synchronize color settings of 2 zones by ColorTouch Control System



Waterproof Standard

IP68

Cable

2.5m

Installation

Concrete Wall Mount

Face Ring Material

Plastic ABS/Stainless Steel

 **Emaux**
water technology

Product Features

Quick, easy and direct replacement with a Retrofit Connector

1. The LED light incorporates five basic colors of LED chips: (including cool white, warm white, red, green, blue (RGB), with high color rendering and constant color over time and temperature.
2. A special 2-core wire connector is designed for easy light replacement to satisfy the retrofit market, by using existing cables in the pool wall.
3. Equipped with state-of-the-art LED technology, E-Lumen X series gives increased energy efficiency and lumen rate.
4. Bulb life in excess of 9,000 hours.
5. The innovative design of the diffusion lens and bulb matrix provide exceptional reflection, brightness, throw, and angle of illumination.
6. The perforations on the face ring also contribute to the light intensity and angle of illumination by allowing light penetration throughout.

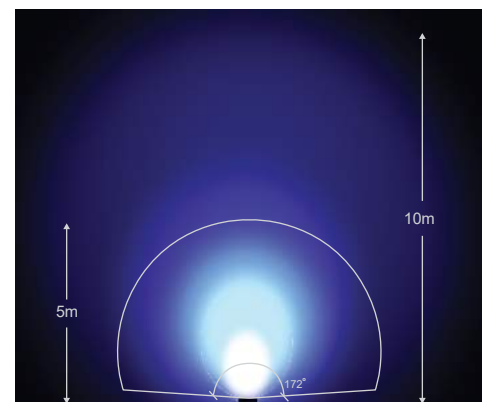


Product Dimensions and Technical Information

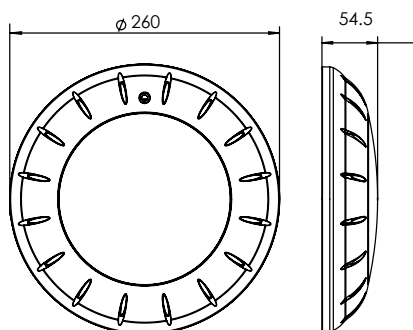
Face Ring Color Options



Code	Description	Face Ring
9042601	E-Lumen X Light 12~32V AC 50/60Hz	White
9042602	E-Lumen X Light 12~32V AC 50/60Hz	Grey
9042603	E-Lumen X Light 12~32V AC 50/60Hz	Blue
9042604	E-Lumen X Light 12~32V AC 50/60Hz	Stainless Steel
9042605	E-Lumen X Light 12~32V AC 50/60Hz	Transparent



Angle and distance of illumination

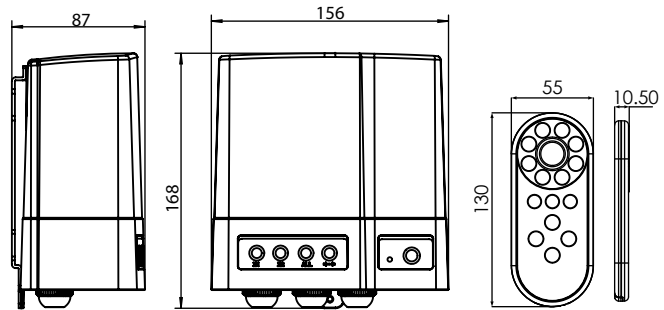


Pool Light Protection Rating : IP68 to 2m depth
Power Consumption :25W

Color	Operation Voltage	illuminance (Lux)	Color Temperature
Cool White	12~32V AC 50/60Hz	350	6500K
Warm White	12~32V AC 50/60Hz	325	3000K

ColorTouch Light Control Box with Remote Controller

Provides direct light color change and two zones synchronized color control



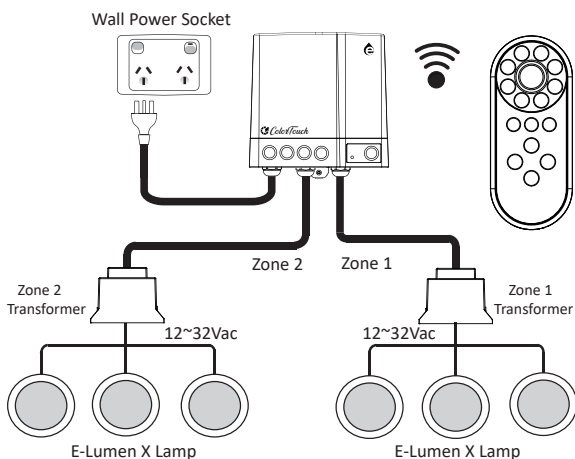
Features

1. By using the simple two-core wires and 12~32Vac operation system, with its unique cable connection system, ColorTouch becomes an ideal choice for most pool retrofit and refurbishment projects.
2. One-touch 7 individual colors, auto-color changing, and 3-level brightness dimmer selections by using the remote-controller which features a compact, user-friendly design and is water resistant.
3. The hand-held remote-control operates up to a distance of 50m in open areas.

Code	Description
9110901	ColorTouch Control Box 220V AC 2*300W 50/60Hz
9110902	ColorTouch Control Box 110V AC 2*300W 50/60Hz



ColorTouch System controls color changes of two pools at the same time



Two zones synchronized color control

1. ColorTouch control system can control different modes of lighting in two separate zones at the same time.
2. Each zone can support pool light fixtures with maximum voltage of 300VA.
3. Simple one-touch button can instantly synchronize both zones.

EMAUX WATER TECHNOLOGY CO., LTD

ADDRESS G/F 41 TIN HAU TEMPLE ROAD,
NORTH POINT, HONG KONG

PHONE +852 2832 9880

www.emauxgroup.com

 **STRIVE FOR CLEAR WATER**

Available from:

ALL SPECIFICATIONS ARE SUBJECT TO CHANGE WITHOUT NOTICE.
© 2018 EMAUX WATER TECHNOLOGY CO., LTD. ALL RIGHTS RESERVED.

www.emauxgroup.com