

E-Lumen Compact Light

RESIN-FILLED LED 100% WATER PROOF

Concrete, vinyl and fiberglass pool compatible



Waterproof Standard

IP68

Setting options

Niche / Nicheless

Material

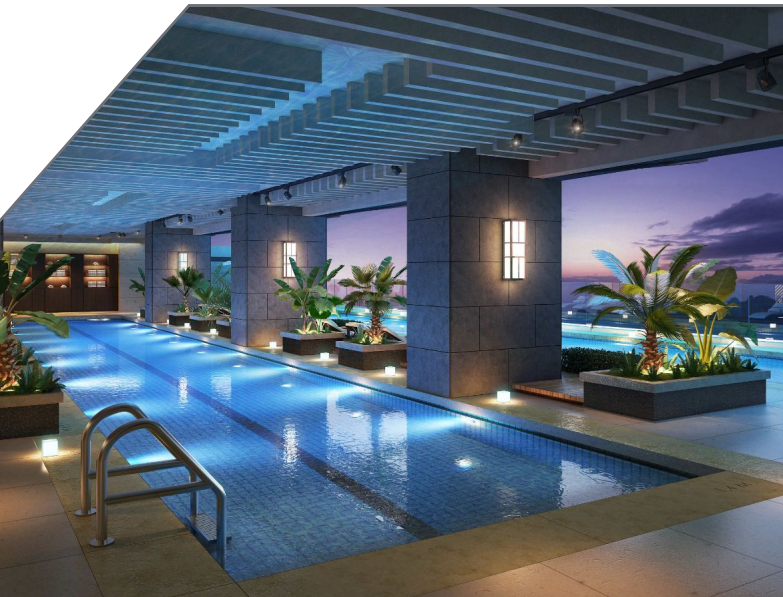
Durable ABS Structure



 **Emaux**
water technology

Pool & Spa Equipments

www.emauxgroup.com



E-Lumen Compact Light comes with the resin-filled LED panel. It is energy efficient that offers a great lumination at a low power consumption. The E- Lumen Compact has 2 settings, the nicheless version is designed for fiberglass pool or steel panel pool, while the niche version is suitable for concrete pool installation.

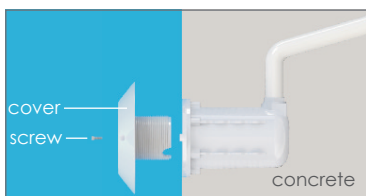
Technology & Features:

1. Resin-filled LED panel allows 100% water proofing
2. Concrete, Vinyl & Fiberglass Pool Compatible
3. Durable ABS structure with high quality PC transparent lid
4. IP 68 Waterproof Standard

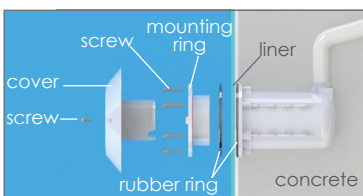
Installation:

1) NICHE VERSION

a) Concrete Pool

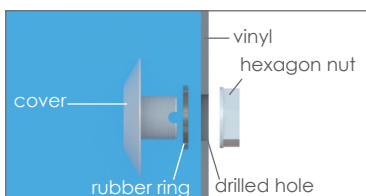


b) Concrete Pool with Liner

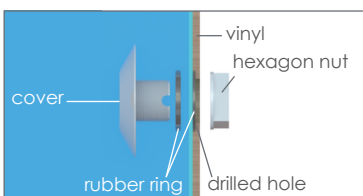


2) NICHELESS VERSION

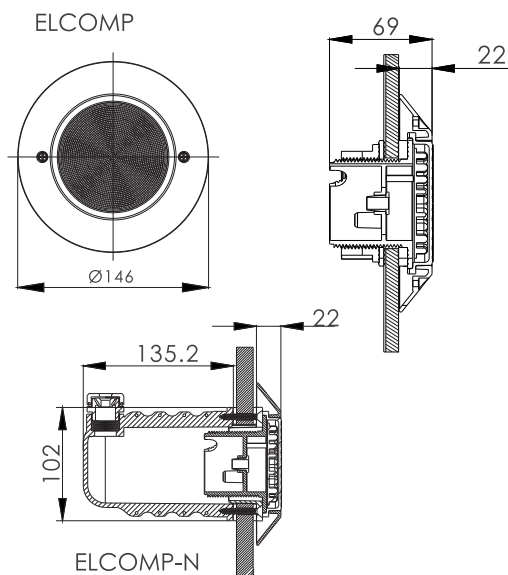
a) Fiberglass Pool



b) Steel Panel Pool with Liner



Dimension:



Product Specification:

Code	Model No.	Description	Watt/Voltage	Illumiance(lux)	Remarks
88048379	EL-COMP-N	Plastic Light with Housing, 99 LEDs RGB	10W/12V	90	RGB
88048380	EL-COMP-N	Plastic Light with Housing, 99 LEDs Cool White	10W/12V	200	Cool White
88048381	EL-COMP-N	Plastic Light with Housing, 99 LEDs Warm White	10W/12V	212	Warm White
88048382	EL-COMP-N	Plastic Light with Housing, 99 LEDs Single Blue	10W/12V	20	Single Blue
88048479	EL-COMP	Plastic Light Nichless, 99 LEDs RGB	10W/12V	90	RGB
88048480	EL-COMP	Plastic Light Nichless, 99 LEDs Cool White	10W/12V	200	Cool White
88048481	EL-COMP	Plastic Light Nichless, 99 LEDs Warm White	10W/12V	212	Warm White
88048482	EL-COMP	Plastic Light Nichless, 99 LEDs Single Blue	10W/12V	20	Single Blue

EMAUX WATER TECHNOLOGY CO., LTD

ADDRESS G/F 41 TIN HAU TEMPLE ROAD,
NORTH POINT, HONG KONG
PHONE +852 2832 9880
www.emauxgroup.com

Pool & Spa Equipments

STRIVE FOR CLEAR WATER

Available from:

ALL SPECIFICATIONS ARE SUBJECT TO CHANGE WITHOUT NOTICE
© 2018 EMAUX WATER TECHNOLOGY CO., LTD. ALL RIGHTS RESERVED.