

Aurora Light

THE WIDEST ANGLE OF ILLUMINATION

For residential and commercial pool & spa



 **Emaux**
water technology

IP68 CE RoHS
COMPLIANT
2011/65/EU

Pool & Spa Equipment

SIGNATURE COLLECTION

Product Information

Waterproof Standard

IP68

Cable

2.5m

Material

Durable ABS Structure

PC Transparent Lid

Installation

Wall Mounted (Flat Type)



INNOVATIVE DESIGN AND ADVANCED LIGHT ENGINEERING

Unique 360 Degree LED Ring and High Power Bulbs

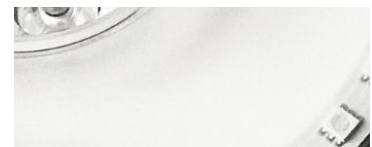
Highly efficient illumination is produced by the combination of high power bulbs and a 360 degree LED ring.



360 LED ring



High Power Bulbs



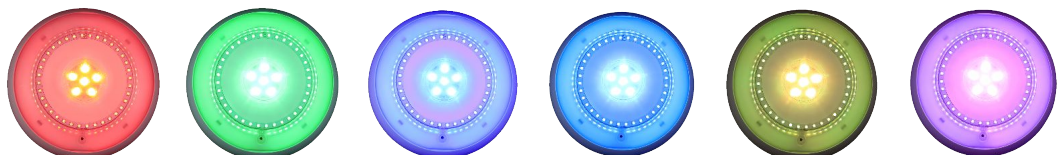
Light Guide Plate

Light Guide Plate (LGP) Technology

With the light guide plate, Aurora light is featuring a ultra-thin, low power consumption, evenly brightness, comfort visual and attractive appearance.

Various Color Options & Pre-programmed Light effects

For RGB version, color changing options with 14 moles which can be monitored by control box offer brilliant dynamic color light.



Product Features

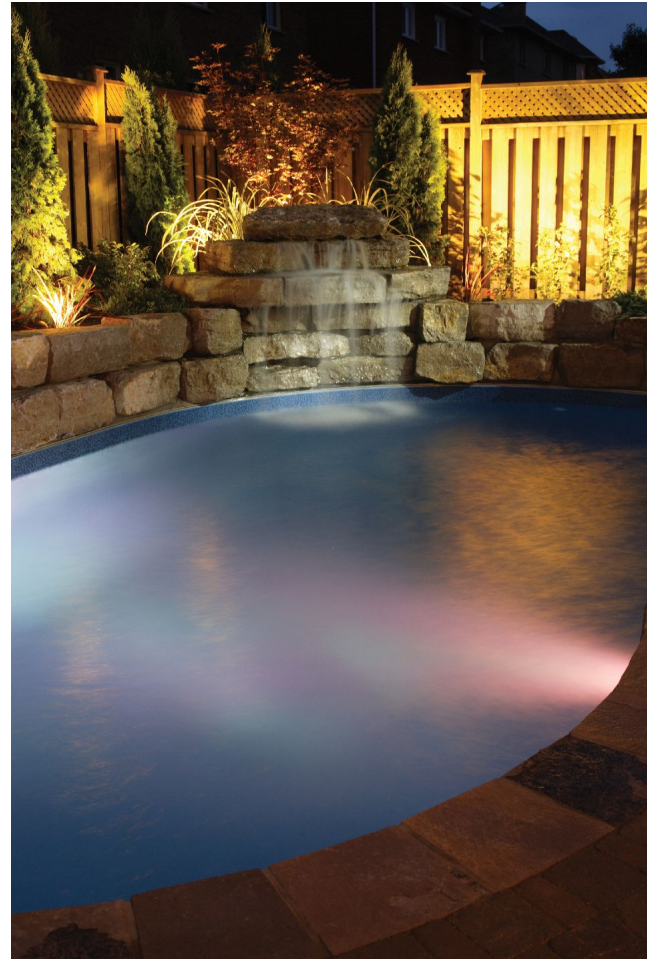
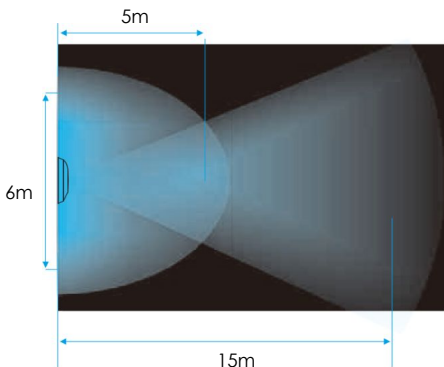
100% WATER PROOFING With our latest resin filled LED panel technology, it performs an outstanding water proofing.

HIGH COMPATIBILITY It is compatible with all concrete, vinyl liner and fiberglass pools.

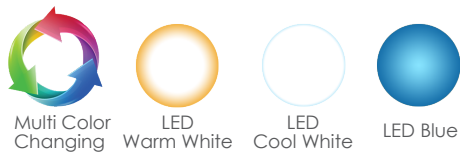
GREAT DURABILITY It is made of durable ABS with high quality PC transparent lid. Also, its effective heat sink design enhances long LED Life

CONVENIENCE Easy install and replacement. Latest wiring method allows easy and reliable wiring for replacement

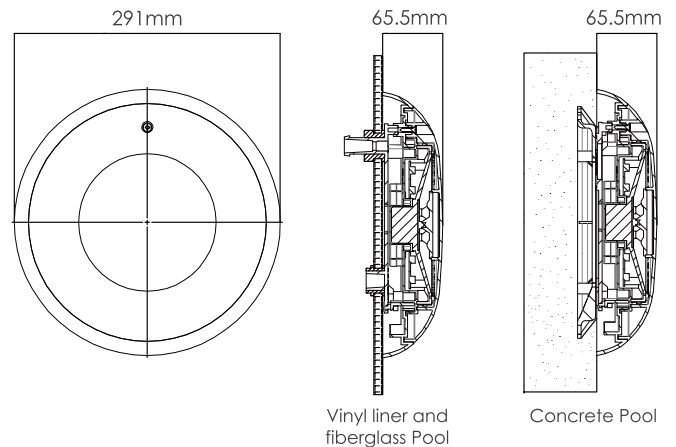
THE WIDEST ANGLE OF ILLUMINATION The combination of high power LED Bulbs and unique 360 degree LED Ring accomplishes the widest angle of illumination in the market



Product Information



Code	Model	Watt/ Voltage	Color
88049246	ARR30CW	30W/12V	Cool White (10000k)
88049247	ARR30C	30W/12V	RGB
88049248	ARR30B	30W/12V	Blue
88049249	ARR30W	30W/12V	Warm White (4000k)



EMAUX WATER TECHNOLOGY CO., LTD

ADDRESS G/F 41 TIN HAU TEMPLE ROAD,
NORTH POINT, HONG KONG

PHONE +852 2832 9880

www.emauxgroup.com

 **STRIVE FOR CLEAR WATER**

Available from:

ALL SPECIFICATIONS ARE SUBJECT TO CHANGE WITHOUT NOTICE.
© 2018 EMAUX WATER TECHNOLOGY CO., LTD. ALL RIGHTS RESERVED.

www.emauxgroup.com