

# EMD Series In-ground Filter System

SIMPLE OPERATION WITH CONTROL BOX

Easy installation with pre-installed plumbing and durable, weatherproof enclosure



 **Emaux**  
water technology

**Pool & Spa Equipment**

# Filtration System **EMD SERIES**

## ADVANTAGES OF EMD SYSTEM

### The Enclosure

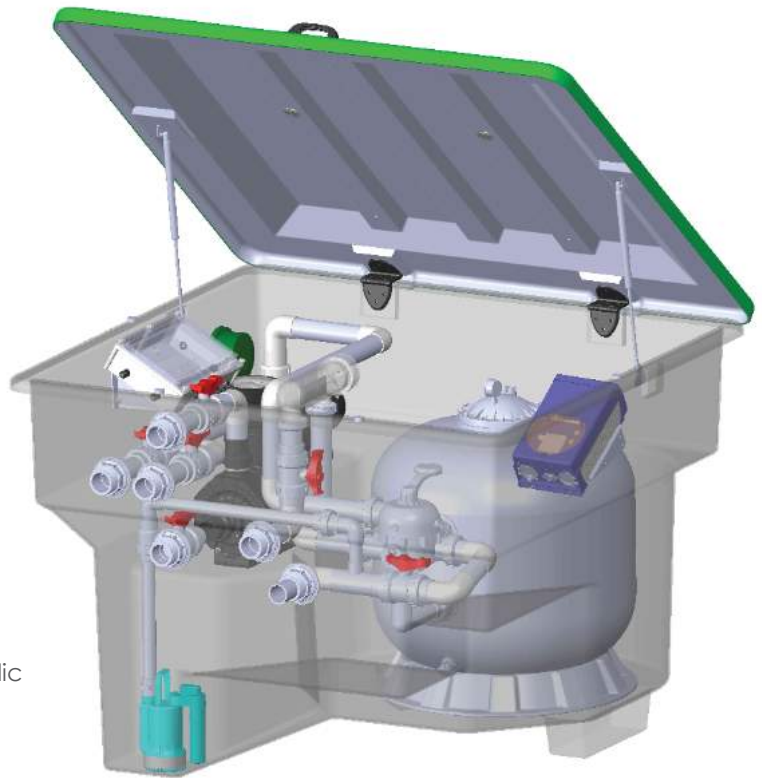
1. Made from durable, corrosion resistant fiberglass reinforced plastic. Withstands UV and low temperature
2. Watertight and equipped with a submersible pump to drain water automatically
3. The filter systems are suitable for all kinds of pool shapes and sizes, and can be customized to your specific requirements.
4. Simple installation can be completed in just a few hours

### Timer-controlled Automation

1. Eliminates the needs for manual power on/off and professional staff for maintenance
2. Convenient and user-friendly

### The Content

1. The system consists of a subsystem for filtration, hydraulic massage, sanitizing and lighting
2. Service Lights installed on the corner will turn on automatically when the cover is open
3. It can be equipped with salt water chlorinator which is the most effective and widely used means for sanitization



## Product Features

Max Working Pressure

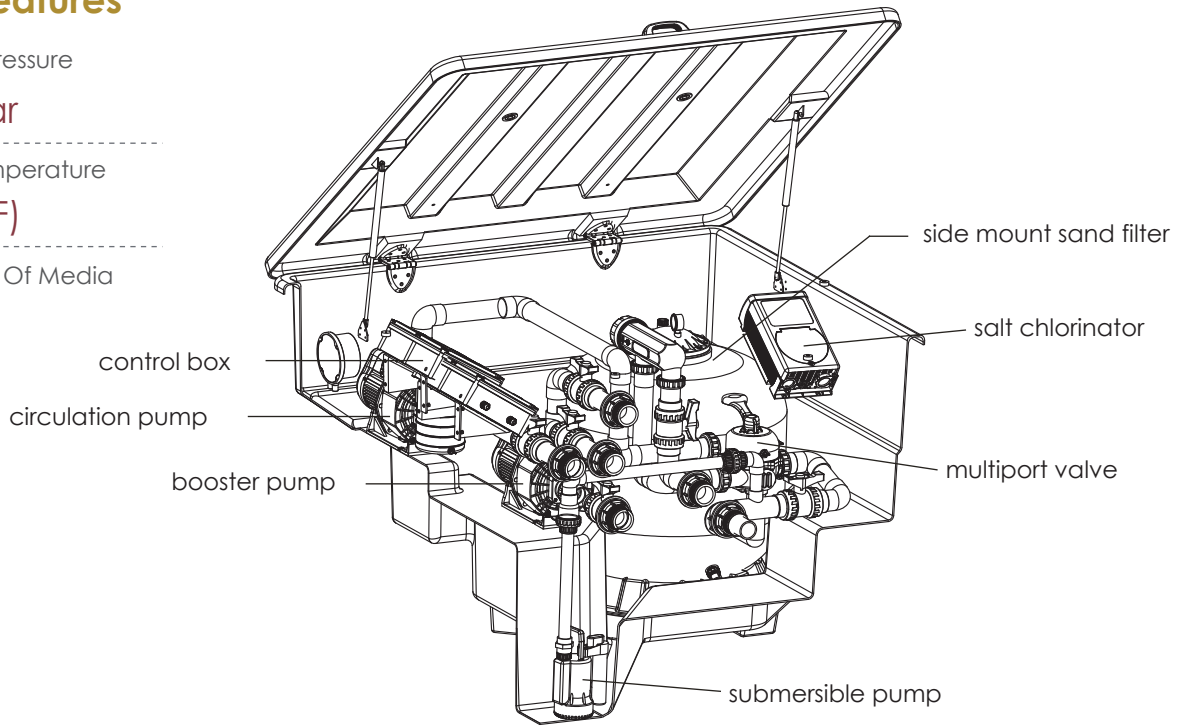
**36psi/2.5bar**

Max Water Temperature

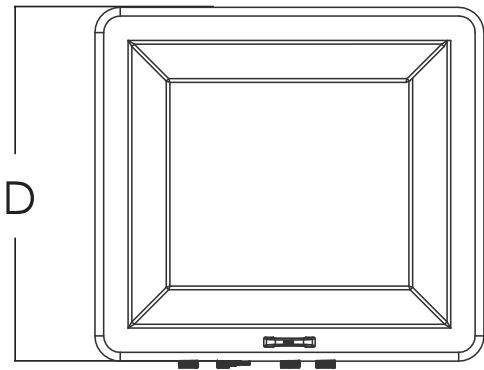
**43°C (109°F)**

Suggested Size Of Media

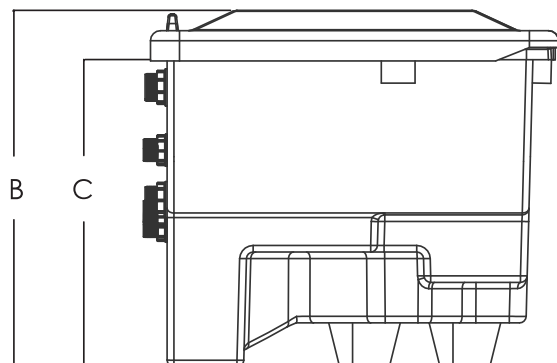
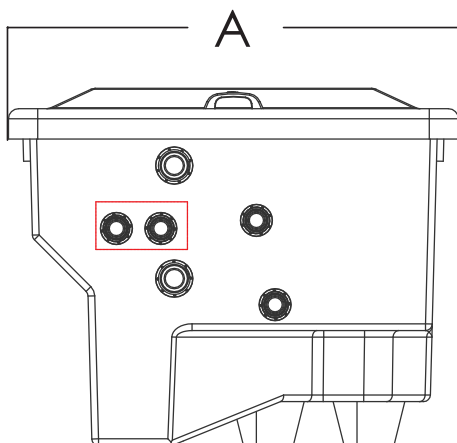
**0.5-0.8mm**



## Product Dimensions



| Model  | A mm | B mm | C mm | D mm |
|--------|------|------|------|------|
| EMD-7  | 1330 | 1055 | 905  | 1210 |
| EMD-11 | 1330 | 1055 | 905  | 1210 |
| EMD-14 | 1330 | 1055 | 905  | 1210 |
| EMD-18 | 1400 | 1220 | 1080 | 1340 |
| EMD-22 | 1400 | 1220 | 1080 | 1340 |
| EMD-25 | 1730 | 1315 | 1170 | 1630 |
| EMD-32 | 1730 | 1315 | 1170 | 1630 |



# Product Information

| Serial No. | Model No. | Description   | Pool Volume       | Flowrate            |
|------------|-----------|---|-------------------|---------------------|
| 88390101   | EMD-7C    | S450 Sand Filter, SS033 Pump, CL-01A Chlorine Feeder and PSB016 Submersible Pump  | 42m <sup>3</sup>  | 7m <sup>3</sup> /h  |
| 88390102   | EMD-7CP   | S450 Sand Filter, SS033 Pump, CL-01A Chlorine Feeder, SR30 Booster Pump and PSB016 Submersible Pump                                   | 42m <sup>3</sup>  | 7m <sup>3</sup> /h  |
| 88390103   | EMD-7S    | S450 Sand Filter, SS033 Pump, SSC15-E Salt Chlorinator and PSB016 Submersible Pump  | 42m <sup>3</sup>  | 7m <sup>3</sup> /h  |
| 88390104   | EMD-7SP   | S450 Sand Filter, SS033 Pump, SSC15-E Salt Chlorinator, SR30 Booster Pump and PSB016 Submersible Pump                                 | 42m <sup>3</sup>  | 7m <sup>3</sup> /h  |
| 88390105   | EMD-7SL   | S450 Sand Filter, SS033 Pump, SSC15-E Salt Chlorinator, TRC-300VA Light Transformer and PSB016 Submersible Pump                       | 42m <sup>3</sup>  | 7m <sup>3</sup> /h  |
| 88390106   | EMD-7SPL  | S450 Sand Filter, SS033 Pump, SSC15-E Salt Chlorinator, SR30 Booster Pump, TRC-300VA Light Transformer and PSB016 Submersible Pump    | 42m <sup>3</sup>  | 7m <sup>3</sup> /h  |
| 88390201   | EMD-11C   | S500 Sand Filter, SS050 Pump, CL-01A Chlorine Feeder and PSB016 Submersible Pump  | 66m <sup>3</sup>  | 11m <sup>3</sup> /h |
| 88390202   | EMD-11CP  | S500 Sand Filter, SS050 Pump, CL-01A Chlorine Feeder, SR30 Booster Pump and PSB016 Submersible Pump                                   | 66m <sup>3</sup>  | 11m <sup>3</sup> /h |
| 88390203   | EMD-11S   | S500 Sand Filter, SS050 Pump, SSC15-E Salt Chlorinator and PSB016 Submersible Pump  | 66m <sup>3</sup>  | 11m <sup>3</sup> /h |
| 88390204   | EMD-11SP  | S500 Sand Filter, SS050 Pump, SSC15-E Salt Chlorinator, SR30 Booster Pump and PSB016 Submersible Pump                                 | 66m <sup>3</sup>  | 11m <sup>3</sup> /h |
| 88390205   | EMD-11SL  | S500 Sand Filter, SS050 Pump, SSC15-E Salt Chlorinator, TRC-300VA Light Transformer and PSB016 Submersible Pump                       | 66m <sup>3</sup>  | 11m <sup>3</sup> /h |
| 88390206   | EMD-11SPL | S500 Sand Filter, SS050 Pump, SSC15-E Salt Chlorinator, SR30 Booster Pump, TRC-300VA Light Transformer and PSB016 Submersible Pump    | 66m <sup>3</sup>  | 11m <sup>3</sup> /h |
| 88390301   | EMD-14C   | S650 Sand Filter, SS100 Pump, CL-01A Chlorine Feeder and PSB016 Submersible Pump  | 84m <sup>3</sup>  | 14m <sup>3</sup> /h |
| 88390302   | EMD-14CP  | S650 Sand Filter, SS100 Pump, CL-01A Chlorine Feeder, SR30 Booster Pump and PSB016 Submersible Pump                                   | 84m <sup>3</sup>  | 14m <sup>3</sup> /h |
| 88390303   | EMD-14S   | S650 Sand Filter, SS100 Pump, SSC25-E Salt Chlorinator and PSB016 Submersible Pump  | 84m <sup>3</sup>  | 14m <sup>3</sup> /h |
| 88390304   | EMD-14SP  | S650 Sand Filter, SS100 Pump, SSC25-E Salt Chlorinator, SR30 Booster Pump and PSB016 Submersible Pump                                 | 84m <sup>3</sup>  | 14m <sup>3</sup> /h |
| 88390305   | EMD-14SL  | S650 Sand Filter, SS100 Pump, SSC25-E Salt Chlorinator, TRC-300VA Light Transformer and PSB016 Submersible Pump                       | 84m <sup>3</sup>  | 14m <sup>3</sup> /h |
| 88390306   | EMD-14SPL | S650 Sand Filter, SS100 Pump, SSC25-E Salt Chlorinator, SR30 Booster Pump, TRC-300VA Light Transformer and PSB016 Submersible Pump    | 84m <sup>3</sup>  | 14m <sup>3</sup> /h |
| 88390401   | EMD-18C   | S700 Sand Filter, SC150 Pump, CL-01A Chlorine Feeder and PSB016 Submersible Pump  | 108m <sup>3</sup> | 18m <sup>3</sup> /h |
| 88390402   | EMD-18CP  | S700 Sand Filter, SC150 Pump, CL-01A Chlorine Feeder, SR30 Booster Pump and PSB016 Submersible Pump                                   | 108m <sup>3</sup> | 18m <sup>3</sup> /h |
| 88390403   | EMD-18S   | S700 Sand Filter, SC150 Pump, SSC50-E Salt Chlorinator and PSB016 Submersible Pump  | 108m <sup>3</sup> | 18m <sup>3</sup> /h |
| 88390404   | EMD-18SP  | S700 Sand Filter, SC150 Pump, SSC50-E Salt Chlorinator, SR30 Booster Pump and PSB016 Submersible Pump                                 | 108m <sup>3</sup> | 18m <sup>3</sup> /h |
| 88390405   | EMD-18SL  | S700 Sand Filter, SC150 Pump, SSC50-E Salt Chlorinator, TRC-300VA Light Transformer and PSB016 Submersible Pump                       | 108m <sup>3</sup> | 18m <sup>3</sup> /h |
| 88390406   | EMD-18SPL | S700 Sand Filter, SC150 Pump, SSC50-E Salt Chlorinator, SR30 Booster Pump, TRC-300VA Light Transformer and PSB016 Submersible Pump    | 108m <sup>3</sup> | 18m <sup>3</sup> /h |
| 88390501   | EMD-22C   | S700(B) Sand Filter, SC150 Pump, CL-01A Chlorine Feeder and PSB016 Submersible Pump   | 132m <sup>3</sup> | 22m <sup>3</sup> /h |
| 88390502   | EMD-22CP  | S700(B) Sand Filter, SC150 Pump, CL-01A Chlorine Feeder, SR30 Booster Pump and PSB016 Submersible Pump                                | 132m <sup>3</sup> | 22m <sup>3</sup> /h |
| 88390503   | EMD-22S   | S700(B) Sand Filter, SC150 Pump, SSC50-E Salt Chlorinator and PSB016 Submersible Pump   | 132m <sup>3</sup> | 22m <sup>3</sup> /h |
| 88390504   | EMD-22SP  | S700(B) Sand Filter, SC150 Pump, SSC50-E Salt Chlorinator, SR30 Booster Pump and PSB016 Submersible Pump                              | 132m <sup>3</sup> | 22m <sup>3</sup> /h |
| 88390505   | EMD-22SL  | S700(B) Sand Filter, SC150 Pump, SSC50-E Salt Chlorinator, TRC-300VA Light Transformer and PSB016 Submersible Pump                    | 132m <sup>3</sup> | 22m <sup>3</sup> /h |
| 88390506   | EMD-22SPL | S700(B) Sand Filter, SC150 Pump, SSC50-E Salt Chlorinator, SR30 Booster Pump, TRC-300VA Light Transformer and PSB016 Submersible Pump | 132m <sup>3</sup> | 22m <sup>3</sup> /h |
| 88390601   | EMD-25C   | S800 Sand Filter, SB20 Pump, CL-01A Chlorine Feeder and PSB016 Submersible Pump   | 150m <sup>3</sup> | 25m <sup>3</sup> /h |
| 88390602   | EMD-25CP  | S800 Sand Filter, SB20 Pump, CL-01A Chlorine Feeder, SR30 Booster Pump and PSB016 Submersible Pump                                    | 150m <sup>3</sup> | 25m <sup>3</sup> /h |
| 88390603   | EMD-25S   | S800 Sand Filter, SB20 Pump, SSC50-E Salt Chlorinator and PSB016 Submersible Pump   | 150m <sup>3</sup> | 25m <sup>3</sup> /h |
| 88390604   | EMD-25SP  | S800 Sand Filter, SB20 Pump, SSC50-E Salt Chlorinator, SR30 Booster Pump and PSB016 Submersible Pump                                  | 150m <sup>3</sup> | 25m <sup>3</sup> /h |
| 88390605   | EMD-25SL  | S800 Sand Filter, SB20 Pump, SSC50-E Salt Chlorinator, TRC-300VA Light Transformer and PSB016 Submersible Pump                        | 150m <sup>3</sup> | 25m <sup>3</sup> /h |
| 88390606   | EMD-25SPL | S800 Sand Filter, SB20 Pump, SSC50-E Salt Chlorinator, SR30 Booster Pump, TRC-300VA Light Transformer and PSB016 Submersible Pump     | 150m <sup>3</sup> | 25m <sup>3</sup> /h |
| 88390701   | EMD-32C   | S900 Sand Filter, SB30 Pump, CL-01A Chlorine Feeder and PSB016 Submersible Pump   | 192m <sup>3</sup> | 32m <sup>3</sup> /h |
| 88390702   | EMD-32CP  | S900 Sand Filter, SB30 Pump, CL-01A Chlorine Feeder, SR30 Booster Pump and PSB016 Submersible Pump                                    | 192m <sup>3</sup> | 32m <sup>3</sup> /h |
| 88390703   | EMD-32S   | S900 Sand Filter, SB30 Pump, SSC50-E Salt Chlorinator and PSB016 Submersible Pump   | 192m <sup>3</sup> | 32m <sup>3</sup> /h |
| 88390704   | EMD-32SP  | S900 Sand Filter, SB30 Pump, SSC50-E Salt Chlorinator, SR30 Booster Pump and PSB016 Submersible Pump                                  | 192m <sup>3</sup> | 32m <sup>3</sup> /h |
| 88390705   | EMD-32SL  | S900 Sand Filter, SB30 Pump, SSC50-E Salt Chlorinator, TRC-300VA Light Transformer and PSB016 Submersible Pump                        | 192m <sup>3</sup> | 32m <sup>3</sup> /h |
| 88390706   | EMD-32SPL | S900 Sand Filter, SB30 Pump, SSC50-E Salt Chlorinator, SR30 Booster Pump, TRC-300VA Light Transformer and PSB016 Submersible Pump     | 192m <sup>3</sup> | 32m <sup>3</sup> /h |

## EMAUX WATER TECHNOLOGY CO., LTD

ADDRESS: Flat A-D, 20/F., Kai Bo 22, 22 Wing Kin Road,  
Kwai Chung, Hong Kong  
PHONE +852 2832 9880  
www.emauxgroup.com

*Pool & Spa Equipment*

 **YOUR PREMIER SUPPLIER**

### Available from:

ALL SPECIFICATIONS ARE SUBJECT TO CHANGE WITHOUT NOTICE  
© 2021 EMAUX WATER TECHNOLOGY CO., LTD. ALL RIGHTS RESERVED.