

# FILTER V SERIES TOP MOUNT FILTER (V350-V700)



After more than 32 years of international experience in water technology with particular expertise in swimming pool pumps and filters, Emaux has evolved into a major force spanning 5 continents and appointing more than 200 distributors worldwide. Our research facilities and state of the art manufacturing plant ensures quality products that are specified where reliable and efficient filtration is critical. After considerable research into the Australian market - Emaux Water Technology Australia was launched in 2008 with headquarters in Perth. Following Emaux principles – all Emaux products were tested to meet Australian Standard AS/NZS 60335.1 and distribution and servicing established in all key centres.



**EMAUX**  
Pool Pumps and Filters

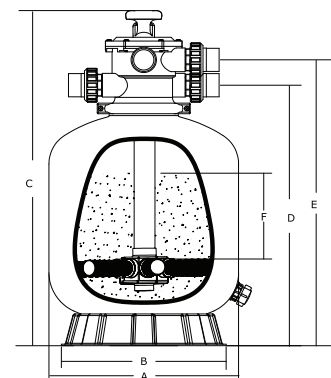
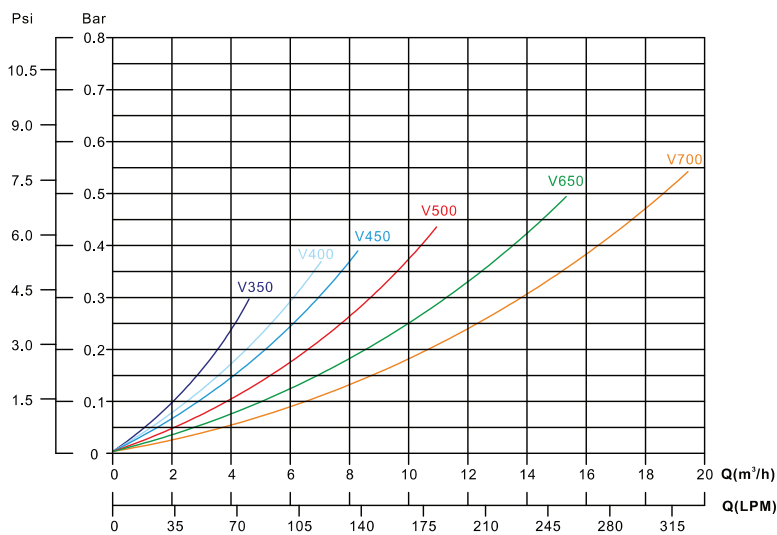
The clear choice in water technology

Emaux Water Technology (Australia) Pty Ltd 12 Kembla Way Willetton WA 6155 Australia t:1300 293 633 e:info@emaux.com.au w: www.emaux.com.au

## V SERIES TOP MOUNT FILTER (V350-V700)

### FEATURES

- Spun-woven fiberglass construction
- Clamp lock is designed to allow 360 degree rotation to simplify installation
- Top diffuser ensures even distribution of water over the top of the sand bed
- Large pressure sand / water drain for rapid winterising or servicing
- Materials used are dependable, non corrosive and are suitable for all - weather performance
- Easy to use multi-port valve with simple to use lever action
- Water drain assembly for easy maintenance
- UV resistant tank allows the filter to work under direct sunlight



### FUNCTIONS: Refer to 6-Way Multi-port Valve

Maximum Working Pressure 250kPa/36psi/2.5bar  
 Factory Testing Pressure 400kPa/58psi/4.0bar  
 Maximum Water Temperature 43°C(109°F)  
 Size of Silica Sand 0.5-0.8mm  
 Maximum Filtration Velocity 50m³/h/m²

### TECHNICAL CHARACTERISTICS

Code	Model No	Filter Area (m²)	Valve Connections	Max Flow Rate	Sand (kg)
88010101	V350	0.09	1½ inch	72lpm 4.32m³/h	20
88010102	V400	0.13	1½ inch	108lpm 6.48m³/h	35
88010103	V450	0.16	1½ inch	135lpm 8.10m³/h	45
88010104	V500	0.22	1½ inch	185lpm 11.10m³/h	85
88010105	V650	0.32	1½ inch	260lpm 15.60m³/h	145
88010107	V700	0.40	1½ inch	325lpm 19.50m³/h	210

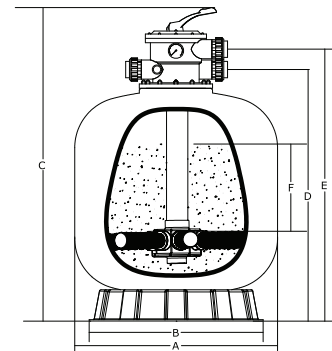
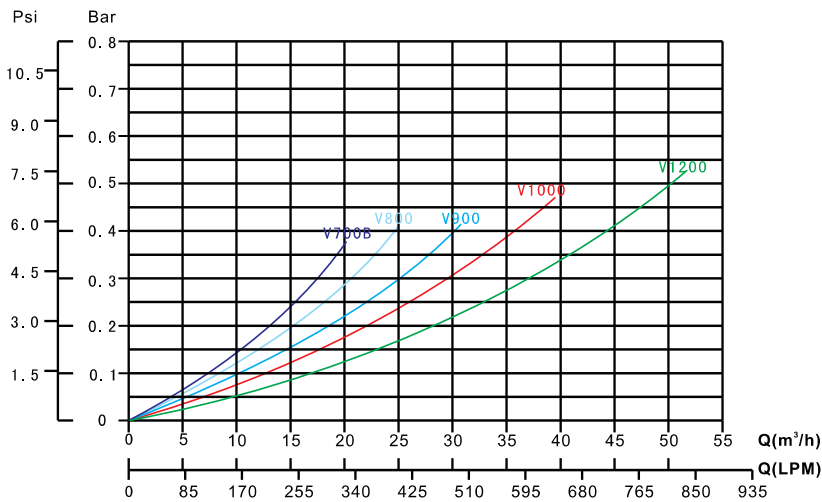
Model No	A mm	B mm	C mm	D mm	E mm	F mm
V350	335	298	726	550	619	160
V400	410	390	757	590	640	175
V450	455	390	814	638	698	210
V500	535	500	845	670	730	235
V650	635	500	950	775	835	300
V700	710	500	1020	845	905	330

Sand size may differ from country to country and therefore sand weights may vary.

## V SERIES TOP MOUNT FILTER (V700B-V1200)

### FEATURES

- Made of fiberglass
- Top diffuser ensures even distribution of water over the top of the sand bed
- Large sand / water drain for rapid winterizing or servicing
- Materials used are dependable, non corrosive and are suitable for all - weather performance
- Easy-to-use water drain plug and multi-port valve lets you select any of the valves / filter operation with a simple lever-action
- UV resistance surface allows the filter to work under direct sunlight



### FUNCTIONS: Refer to 6-Way Multi-port Valve

Maximum Working Pressure 250kPa/36psi/2.5bar  
 Factory Testing Pressure 400kPa/58psi/4.0bar  
 Size of Silica Sand 0.5-0.8mm  
 Maximum Filtration Velocity 50m³/h/m²  
 Maximum Water Temperature 43°C(109°F)

### TECHNICAL CHARACTERISTICS

Code	Model No	Filter Area (m²)	Valve Connections	Max Flow Rate	Sand (kg)
88010608	V700(B)	0.41	2inch 63mm	336lpm 20.16m³/h	215
88010609	V800	0.50	2inch 63mm	415lpm 24.90m³/h	355
88010610	V900	0.64	2inch 63mm	520lpm 31.20m³/h	470
88010611	V1000	0.79	2inch 63mm	650lpm 39.00m³/h	620
88010613	V1200	1.13	2inch 63mm	860lpm 51.60m³/h	860

Model No	A mm	B mm	C mm	D mm	E mm	F mm
V700(B)	723	500	1092	877	960	390
V800	800	753	1200	1002	1085	425
V900	900	753	1300	1090	1172	480
V1000	1000	810	1400	1260	1340	580
V1200	1200	995	1600	1468	1550	740

Sand size may differ from country to country and therefore sand weights may vary.

